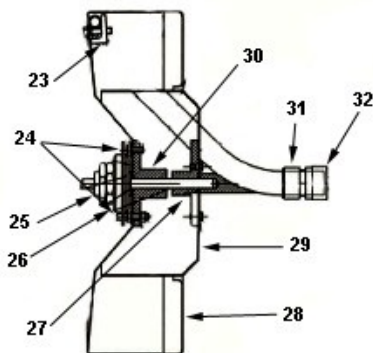
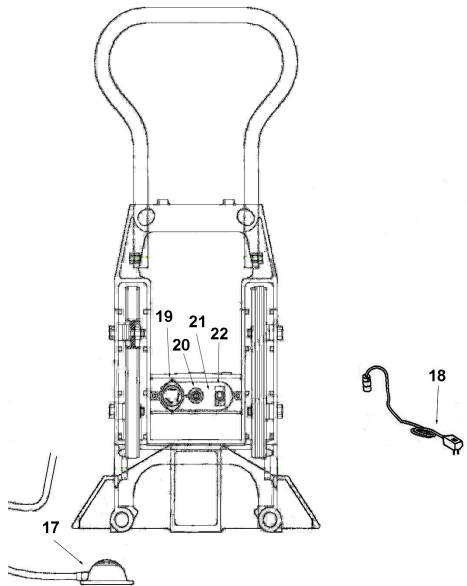
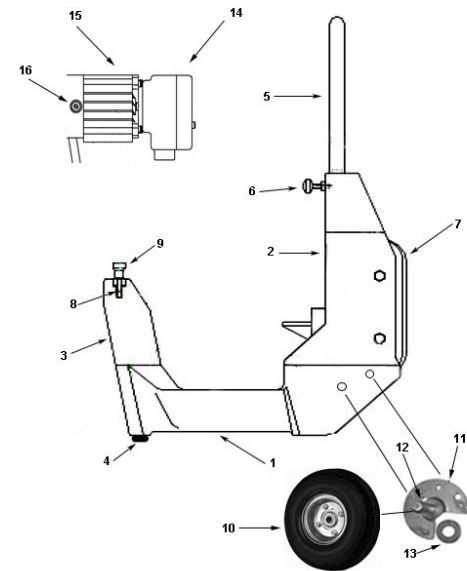


PONY REPLACEMENT PARTS



Part#	Description	Ref No.
310	Drum Unit	28 thru 32
7001	Handle w/ Bolts	5
7017x	10" Wheel Adapter	11, 12, 13
8695	10" Wheel	10
7027x	Stair Crawler	7
7100	Pinion End Bracket	
7109	Brush Cap	16
7110	Brush Holder	16
7111	Brush & Spring	16
7129	3 - Way Switch	22
7194	Outer Drum and Hub	28
7195	Clutch Assembly	26
7199	Clutch Hub	25
7201	Drive Stud	24
7205	Pony® Cable Clamp	23
7206	Drum Hub Assembly	30
7208	Drum Shaft Assembly	27
7211x	Inner Drum, Shaft, Bushing and Set Collar	27, 29, 31, 32
7213	Distributor Arm Bushing	31
7214	Set Collar	32
7218	Upper Front Casting	3
7220	Lower Casting	1
7222	Back Casting	2
7228	Outlet Box Cover	21
7233	Gear Case Assembly	14
7235	First Reduction Gear	
7237	Second Reduction Gear	
7266	Rear Drum Adapter	
7267	Front Drum Adapter	
7304	Base Bumper	4
7602	Motor and Gear Case Assembly	14, 15, 16
7741	Motor Only	15
7719	Air Pressure Switch	20
7722Q	Connector Body	19
7723	Electric GFI Cord	18
7731	Air Bubble and Tube	17
7754	Armature	
7154	Thumb Bolt	6
9166X	Swing Bolt & Knob	8,9
7211	Internal Drum (Only)	29